

KBAP

Durable Stainless Steel Construction

Ready light alerts user to optimum brew temperature

Offers all the benefits of an automatic brewer without the plumbing

Convenient hot water faucet for hot tea, cocoa and soups

Private labeling available

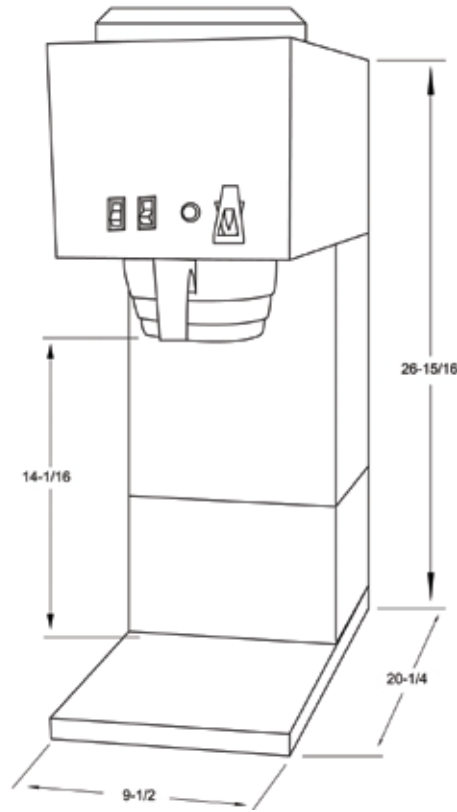
Gourmet sprayhead designed for maximum coffee extraction

Brews into 1.9 Liter server, 2.5 Liter gravity or 2.5 Liter airpot

Made in the USA



KBAP



The KB series combines all the benefits of great tasting bottled water with a portable automatic coffee brewing station. Recognizing that a cup of coffee is 99% water, it only makes sense to have greater control of the overall recipe to ensure great tasting coffee. The KB models incorporate features such as: a gravity fed hot water faucet, a ready light, accepts 2 - 6 gallon plastic bottles, and offers all the benefits of a automatic brewer without plumbing. Enjoy freshly brewed coffee made from great tasting bottled water with every brew.

MODEL	WIDTH	DEPTH	HEIGHT	AMPS	VOLTS	WATTS
KBAP	9 1/2"	20 1/4"	26 15/16"	13.5A (USA)	120 V	1400 (USA)
				10.8A (CANADA)		1100 (CANADA)